

# Sprinkler control unit - BN-320/5

Interactive fire detection systems  
Product datasheet

## Features

- Interactive
- 1 monitored input
- Handles both normal open and normal closed flow switch
- Connected directly to the detection loop
- Loop powered
- Built in short circuit isolator
- Automatic addressing
- Proven technology
- With SelfVerify function for reduced maintenance/testing and increased reliability

## Application / Description

The sprinkler control unit BN-320/5 is designed for use with the interactive fire detection system, and has a SelfVerify function. This function secures the highest degree of reliability and reduces the need for manual testing, because all units with this function are automatically checked once a day.

The unit is used for monitoring and control of sprinkler systems. If a local blackout of the sprinkler contact is desired, a BW-200 shut-off-switch is used together with BN-320/5. Both units are directly connected to the detector loop.

## Principle

The unit has 1 monitored input monitoring the flow switch (input A). It can be configured to handle normal open and normal closed flow switch; this is achieved with Input B:

- Input B open: Normal open flow switch
- Input B shorted: Normal closed flow switch

An open circuit (loss of 2k on the inputs) gives fault warning.

Stable signal on input for time 1 gives prealarm.  
Stable signal on input for time 2 gives fire alarm.  
Times 1 and 2 are configurable by means of the configuration tool (0-127 seconds).

The unit has a built in short circuit isolator. In the event of a short circuit, the short circuit location will be isolated.

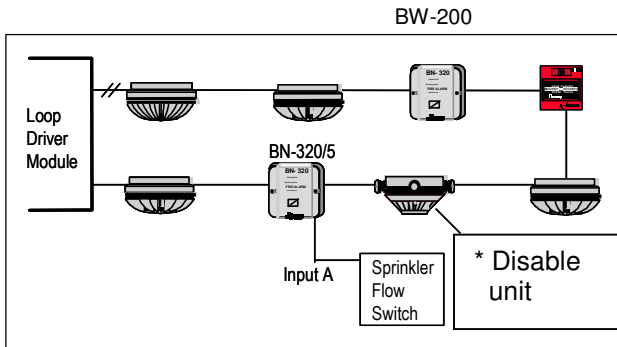
SelfVerify: the ability to initiate alarm signal is regularly checked.



Technical specifications	
Weight	175 g
Material	Thermo plastic
Colour	Light grey
Input	Max. cable resistance 30 $\Omega$ If the cable data is unknown, use max. 100 m cable.
Max. capacitance on input	40 nF
Voltage, AICom (detection loop)	10 - 27 VDC
Current consumption: Stand by	0,3mA
Environm. requirement	EN 54-5/EN 54-7
Degree of protection: Membr. inlets PG-inlets (PG-13,5)	IP54 IP67
Working temperature	- 20 - + 70 °C
Humidity (non condensing)	Max. 95% RH
Maintenance	None
Service	Replace if faulty
Approvals	See Autronica's website

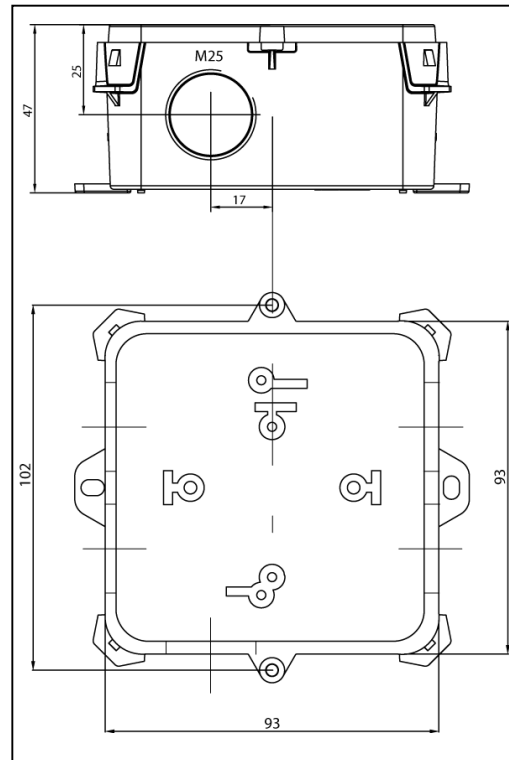
Part number	Description
116-BN-320/5	Sprinkler control unit

**Overview**

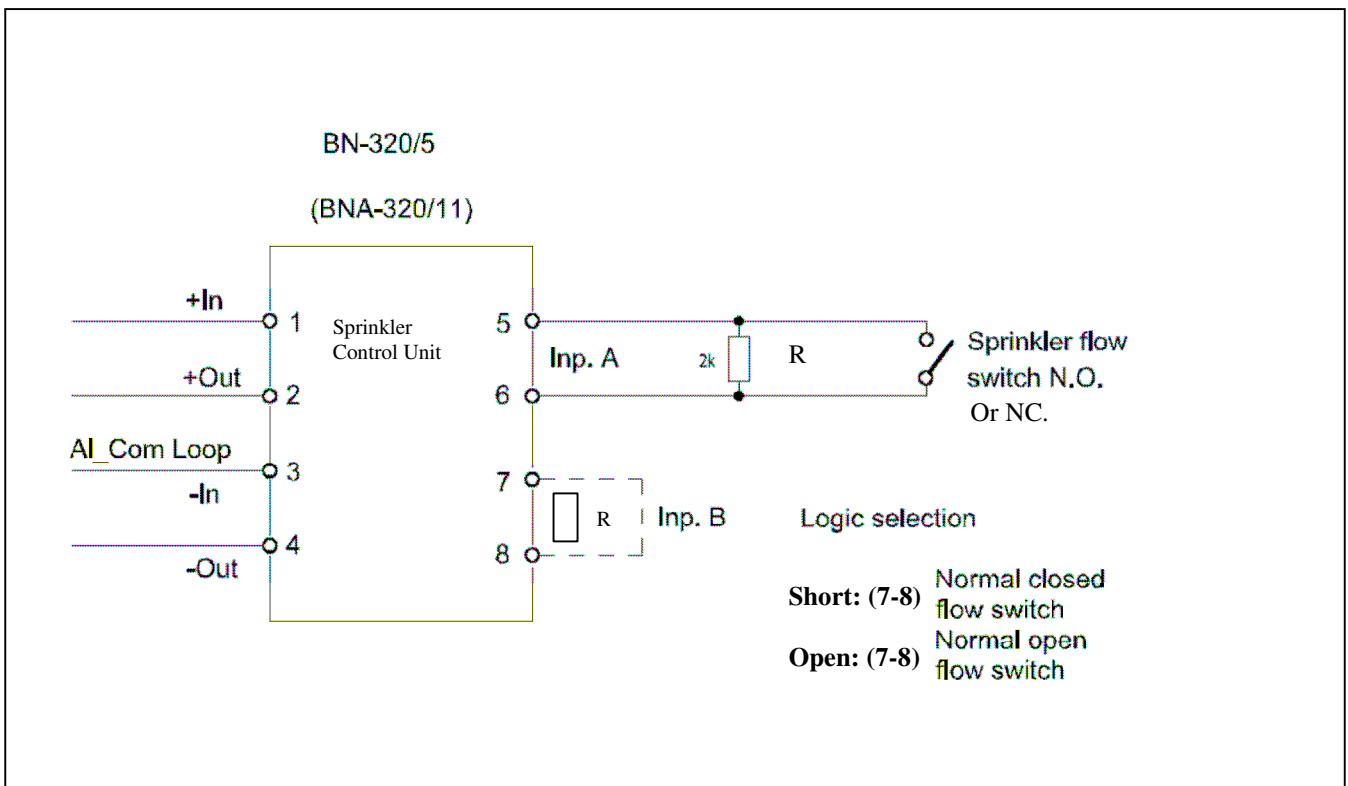


\* BW-200 can be used as a local sprinkler disable unit.

**Dimensions (mm)**



**Connections**



**AUTRONICA FIRE AND SECURITY AS**

Head office, NO-7483 Trondheim, Norway Tel: +47 73 58 25 00, fax: +47 73 58 25 01, e-mail: info@autronicafire.no  
 Oil and Gas division, Stavanger, Norway Tel: +47 51 84 09 00, fax: +47 51 84 09 99  
 Maritime division, Spikkestad, Norway Tel: +47 31 29 55 00, fax: +47 31 29 55 01

Visit Autronica Fire and Security AS' website: [www.autronicafire.com](http://www.autronicafire.com)